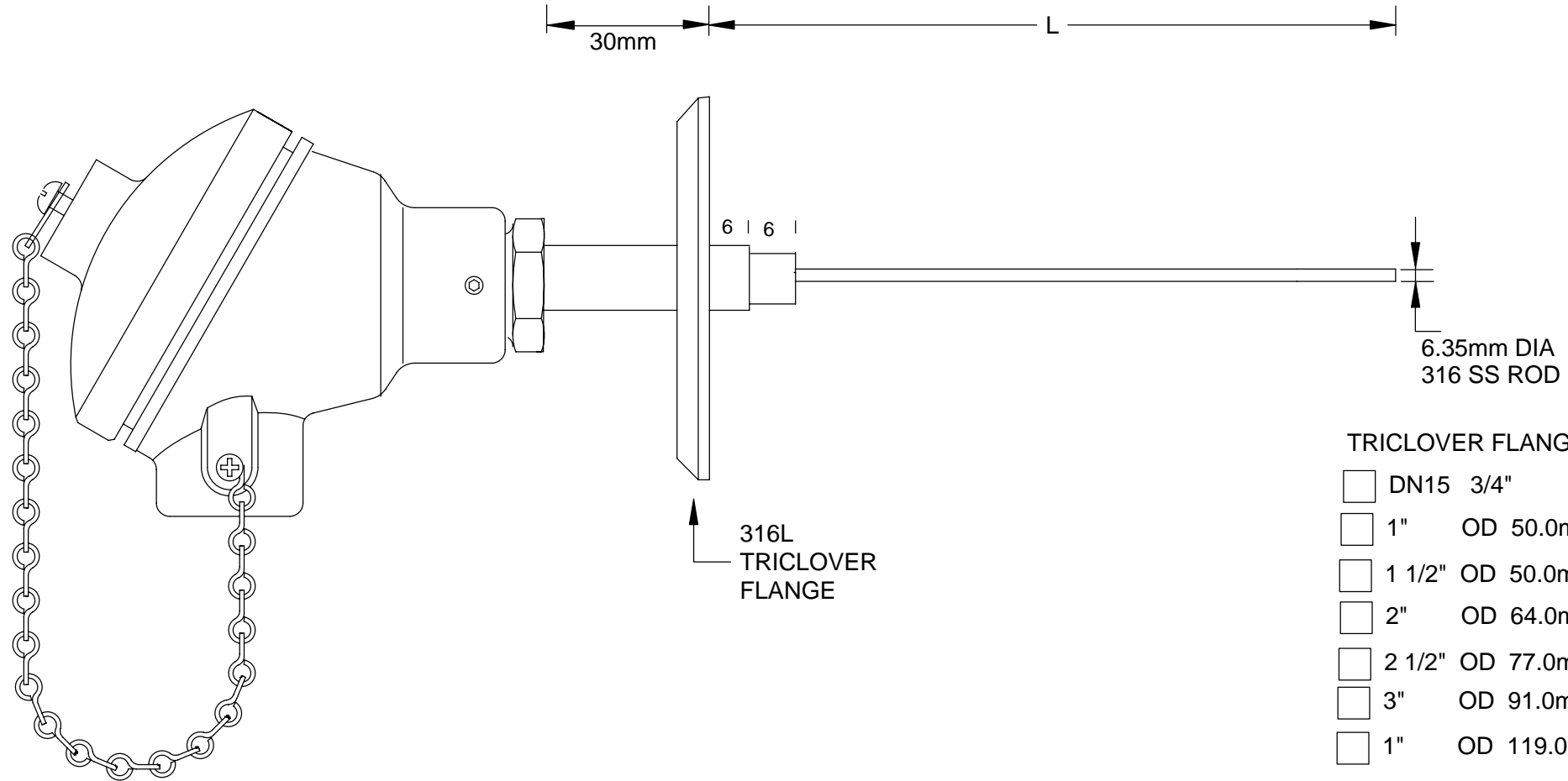


CONDUCTIVITY LEVEL PROBE APPLICATION - METAL TANK - ALARM



TRICLOVER FLANGE SIZES

- DN15 3/4"
- 1" OD 50.0mm
- 1 1/2" OD 50.0mm
- 2" OD 64.0mm
- 2 1/2" OD 77.0mm
- 3" OD 91.0mm
- 1" OD 119.0mm

PROCESS CAPABILITIES

- MUST BE USED WITH CONDUCTIVITY CONTROLLER
- PROBE DIA 1/8" OR 3/16" OR 1/4" 316 S/S STANDARD
- PROCESS CONNECTION:-1/2" BSP OR NPT STANDARD
-3/4" BSP OR NPT
-1" BSP OR NPT
- SUITABLE FOR UNPRESSURISED APPLICATIONS ONLY.
- FOR PRESSURE APPLICATIONS CONSULT THE FACTORY

TEMPERATURE CONTROLS PTY LTD

Certificate No: QEC 14412
AS/NZS 9001:2000

CONDITIONS

THIS DRAWING IS OUR EXCLUSIVE PROPERTY AND MUST NOT BE COPIED OR HANDED TO ANY OTHER PARTIES WITH OUT WRITTEN PERMISSION. IT SHALL BE RETURNED UPON REQUEST

SYDNEY : 7 YAMMA ST SEFTON , NSW 2162
PHONE : (02) 9721 8644 FAX : (02) 9738 9339
MELBOURNE : 8/280 WHITEHALL ST
YARRAVILLE VIC 3013
PHONE : (03) 9687 0000 FAX : (03) 9687 1900
EMAIL : sales@temperature.com.au



TITLE

SIZE : A4

DATE : 16/08/12

DWG NO : SD 443

SCALE : NTS

DRAWING BY R.B

REV : 00